



OPTIONS



SOFTWARE



TECHNICAL DATA

Operating voltage	12-48 VDC
Phase current eff.	4.2 A
RMS for 1 S	Max. 6.3 A
Integrated encoder	Magnetic single-turn absolute encoder, 1024 PPR
Operating modes	Torque, speed, position, homing, cyclic synchronous setpoint
Protection circuit	Over-/under voltage protection, over temperature protection (>75°C), reverse polarity protection (Short-circuit +UB and GND for reverse polarity, a fuse between the power supply and the controller is necessary!)
Version	<b>01 (USB)</b>
Target value specification/programming	Clock-direction, analog input, NanoJ V2, USB Single/differential
Inputs	Clock/direction/enable (+5 V/+24 V) 3 digital inputs (+24 V) 1 analog input (0-10 V)
Outputs	1 output, max. 0.5 A, open drain
Version	<b>08 (CAN)</b>
Target value specification/programming	CANopen, NanoJ V2
Inputs	4 digital inputs (+5V/+24V) 1 analog input (0-10V)
Outputs	2 outputs, max. 0.5 A, open drain

VERSIONS

Type	Holding Torque Ncm	Length „A“ mm	Weight kg
PD4-C5918M4204	110	79	0.8
PD4-C5918L4204	198	100	1.2
PD4-C6018L4204	350	112.5	1.6

ORDER IDENTIFIER

**PD4-C5918M4204-E-**  
01 = USB Interface  
08 = CANopen Interface

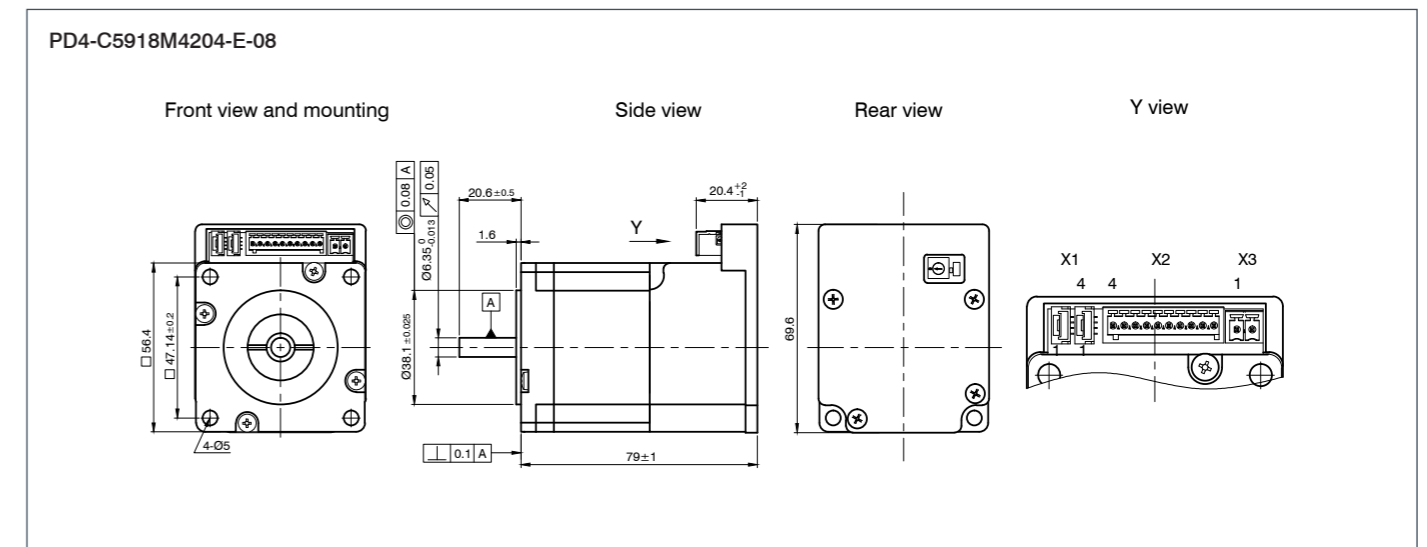
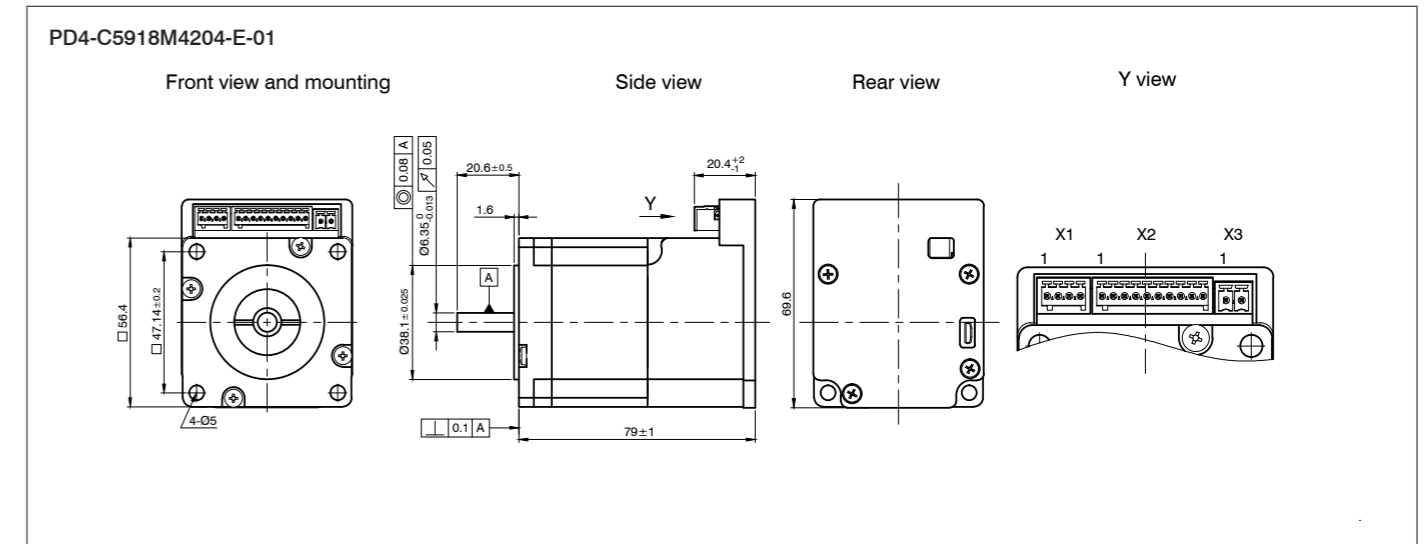
ACCESSORIES

**Z-K4700/50** Charging Capacitor  
**ZK-MICROUSB** USB Cable  
**ZK-PD4-C-CAN-4-500-S** CANopen Cable  
**IO-PD4-C-01** IO Board for PD4-C-01 (USB) with cable set

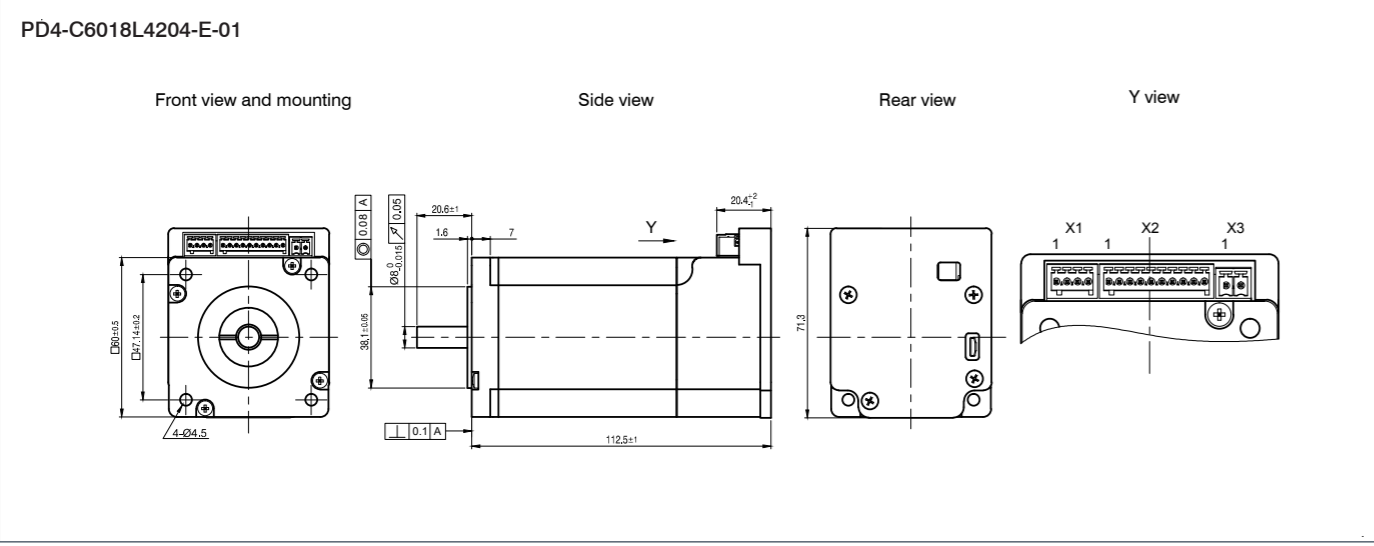
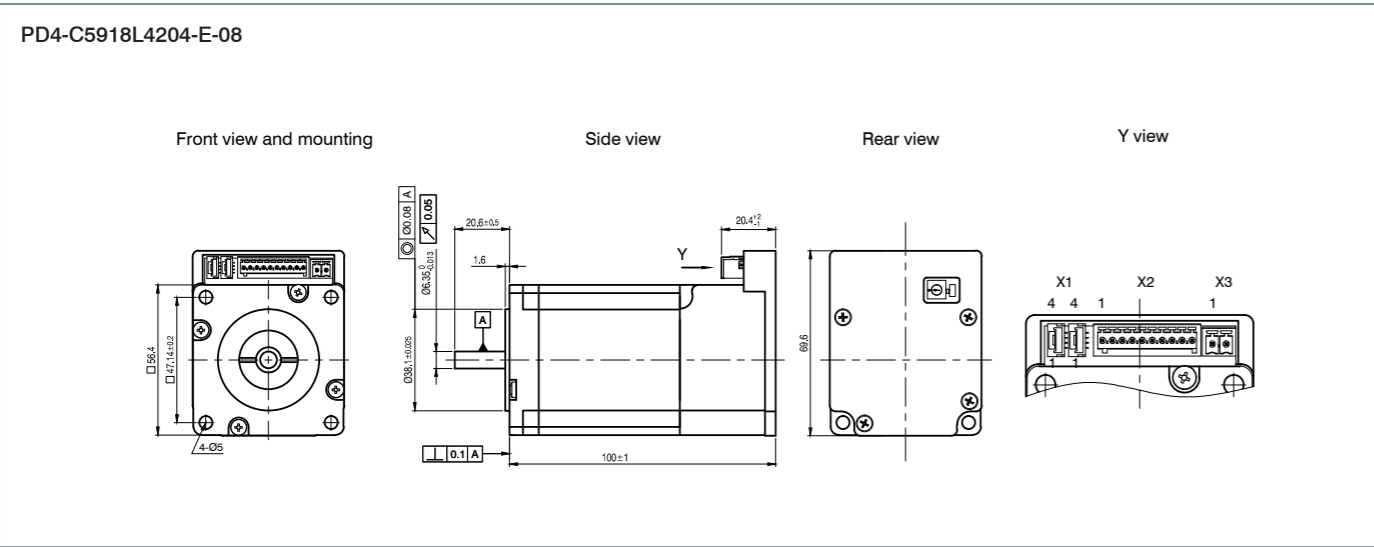
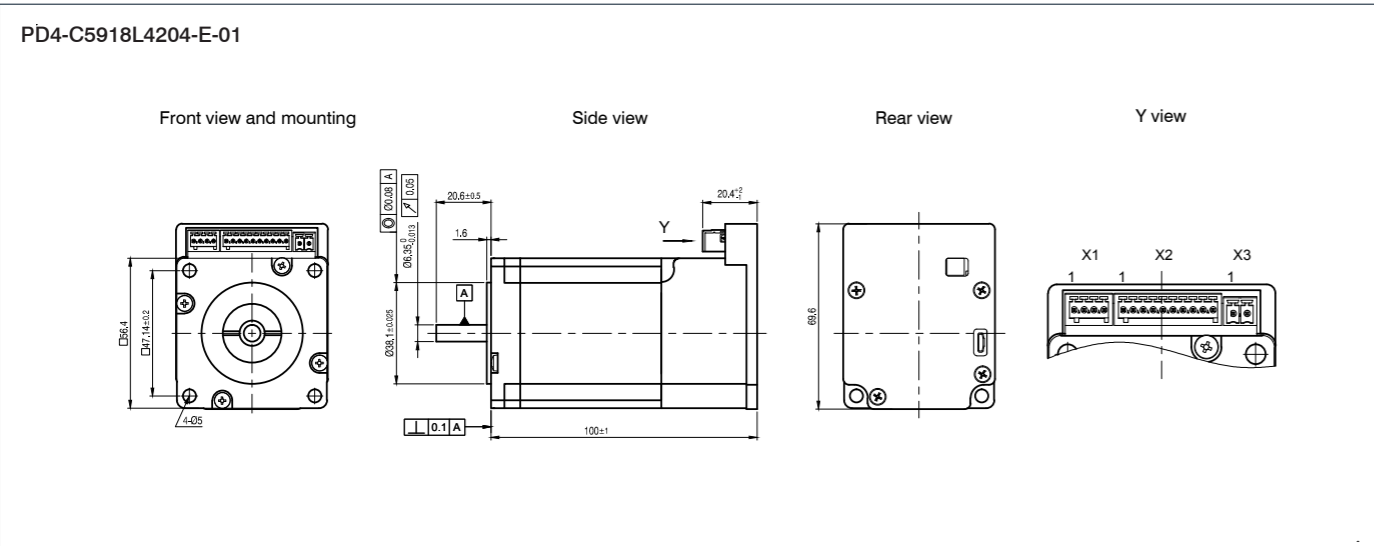
CAUTION

We recommend using a back-up capacitor of sufficient size to stabilize the operating voltage.

DIMENSIONS (IN MM)



DIMENSIONS (IN MM)



DIMENSIONS (IN MM)

